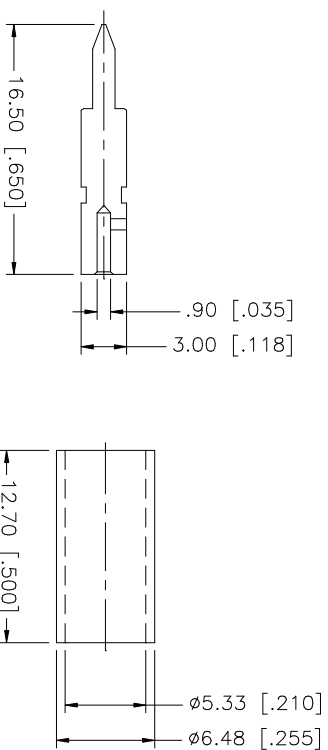
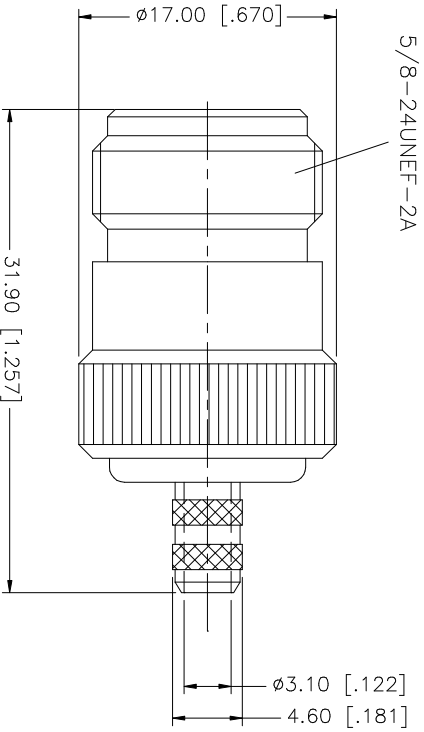
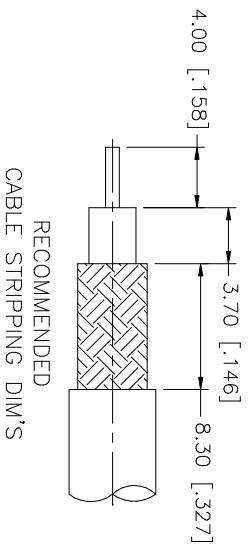


REV.	DATE	DESCRIPTION
NC	06/08/98	INITIAL RELEASE
A	06/25/06	UPDATE DRAWING FORMAT, REVISE PLATING TO NEXCOTE



NOTE:

1. CRIMPED FERRULE HEX. CRIMP SIZE .213"
2. CRIMPED CONTACT PIN HEX. CRIMP SIZE .105"

QTY	DESCRIPTION	MATERIAL	FINISH	FINISH	QTY	UNLESS OTHERWISE SPECIFIED DIMENSIONS ARE IN MILLIMETERS DIMENSIONS IN [ ] ARE IN INCHES AND FOR SUBSTITUTED REFERENCE ONLY.	UNLESS OTHERWISE SPECIFIED TOLERANCES FOR MILLIMETERS ARE:	UNLESS OTHERWISE SPECIFIED TOLERANCES FOR INCHES ARE:	APPROVALS	DATE	PART DESCRIPTION	
1	INSULATOR BODY	BRASS	NEXCOTE	NEXCOTE	1	0.20 - .315 = ± 0.007"	0.5 - 8mm ± 0.20mm	.315 - 1.180 = ± 0.015"	DRAWN	G.R.S.	06/25/06	N REVERSE POLARITY CRIMP JACK (FOR RG-58/U CABLE)
1	CONTACT PIN	BRASS	GOLD	GOLD	1	.020 - .030 = ± 0.002"	8 - 30mm ± 0.40mm	.030 - .040 = ± 0.001"	CHECKED			
1	FERRULE	COPPER	NEXCOTE	NEXCOTE	1	.020 - .030 = ± 0.002"	30 - 120mm ± 0.50mm	.030 - .040 = ± 0.001"	ISSUED			
1	INSULATOR BODY	BRASS	NEXCOTE	NEXCOTE	1	0.20 - .315 = ± 0.007"	0.5 - 8mm ± 0.20mm	.315 - 1.180 = ± 0.015"	SHEET	1 OF 1		
1	CONTACT PIN	BRASS	NEXCOTE	NEXCOTE	1	.020 - .030 = ± 0.002"	8 - 30mm ± 0.40mm	.030 - .040 = ± 0.001"	CAD FILE			
1	FERRULE	COPPER	NEXCOTE	NEXCOTE	1	.020 - .030 = ± 0.002"	30 - 120mm ± 0.50mm	.030 - .040 = ± 0.001"	DWG. NO.			
1	INSULATOR BODY	BRASS	NEXCOTE	NEXCOTE	1	0.20 - .315 = ± 0.007"	0.5 - 8mm ± 0.20mm	.315 - 1.180 = ± 0.015"	REV.	A		
1	CONTACT PIN	BRASS	NEXCOTE	NEXCOTE	1	.020 - .030 = ± 0.002"	8 - 30mm ± 0.40mm	.030 - .040 = ± 0.001"	SIZE	A		
1	FERRULE	COPPER	NEXCOTE	NEXCOTE	1	.020 - .030 = ± 0.002"	30 - 120mm ± 0.50mm	.030 - .040 = ± 0.001"	SCALE	NA		

**Amphenol Connex**

N REVERSE POLARITY CRIMP JACK  
(FOR RG-58/U CABLE)

172103RP